

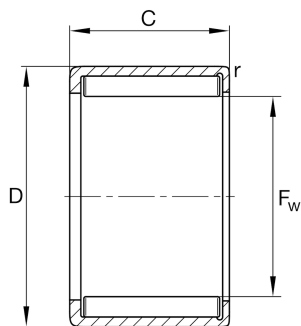
HN1612

Drawn cup needle roller bearing open end

Schaeffler ID:
0000368380000

Drawn cup needle roller bearings with open ends HN, full complement needle roller set

Technical information



Main Dimensions & Performance Data

F_w	16 mm	Under roller diameter
D	22 mm	Outside diameter
C	12 mm	Width, outer ring
C_r	12,000 N	Basic dynamic load rating, radial
C_{0r}	20,300 N	Basic static load rating, radial
C_{ur}	2,650 N	Fatigue load limit, radial
$n_{G \text{ Grease}}$	6,700 1/min	Limiting speed for grease lubrication
n_{gr}	9,200 1/min	Reference speed
	13 g	Weight

Dimensions

r_{min}	0.8 mm	Minimum chamfer dimension
-----------	--------	---------------------------

Temperature range

T_{min}	-30 °C	Operating temperature min.
T_{max}	140 °C	Operating temperature max.

Additional information

IR12X16X13-XL	Suitable inner rings IR
---------------	-------------------------